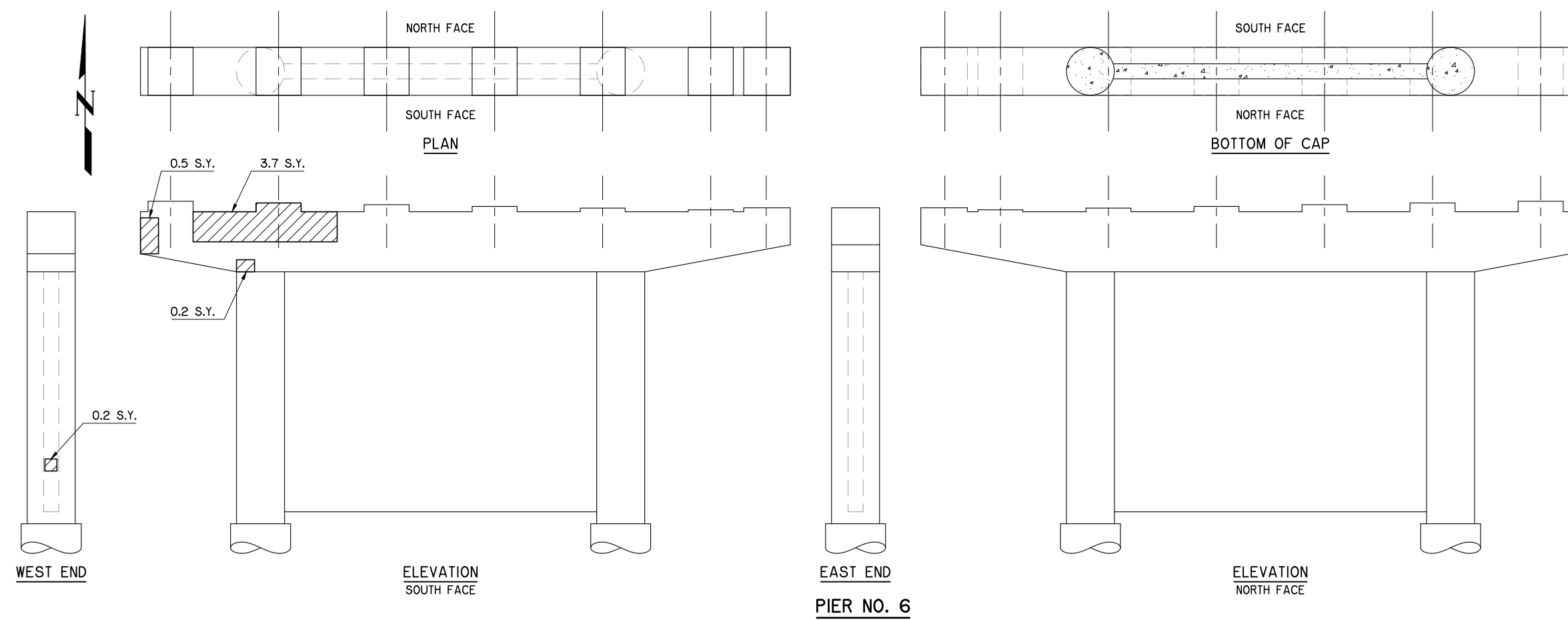
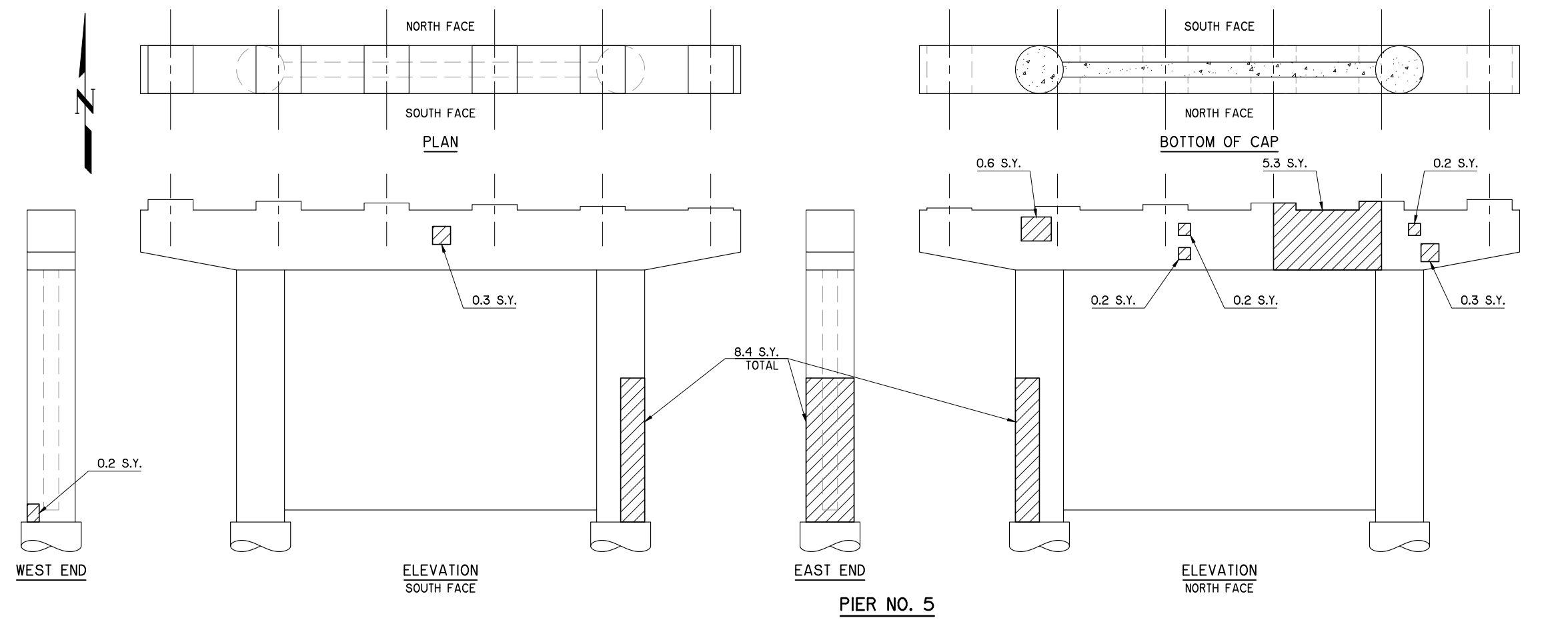


REVISIONS		
REV. NO.	DESCRIPTION	DATE



LEGEND

	PREPARATION OF CRACKS (ABOVE WATER)
	REPAIR BRIDGE ITEMS

SH 51 NB OVER ARKANSAS RIVER		TULSA COUNTY		Design	ADT
PIER REPAIR DETAILS PIER NO. 5 AND NO. 6				Detail	FEZ
				Check	ADT
STATE OF OKLAHOMA				WHITE ENGINEERING ASSOCIATES	
				DEPARTMENT OF TRANSPORTATION	

I:\Active\1626\Drawings\15 Pier 5 & 6.dwg, 6/12/2017 11:11:00 AM, Fred